

BLM5 DC LATCHING SOLENOID

Availability
DC only
PULL - THRUST - PULL & THRUST

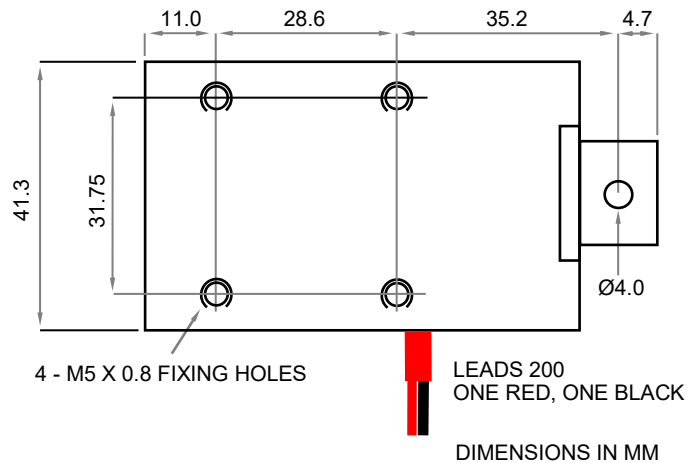
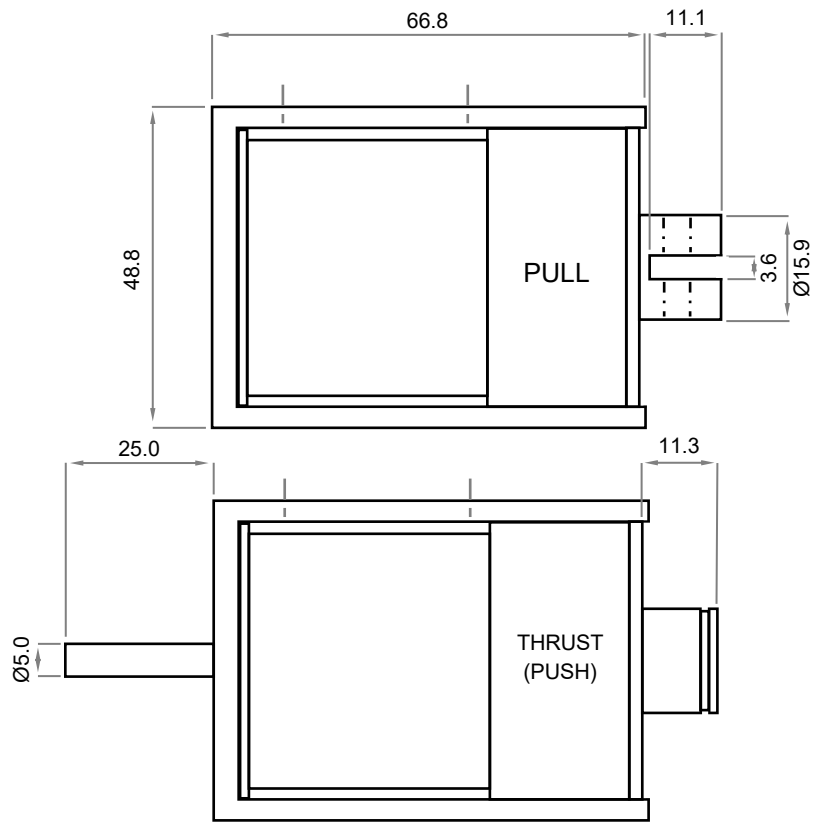
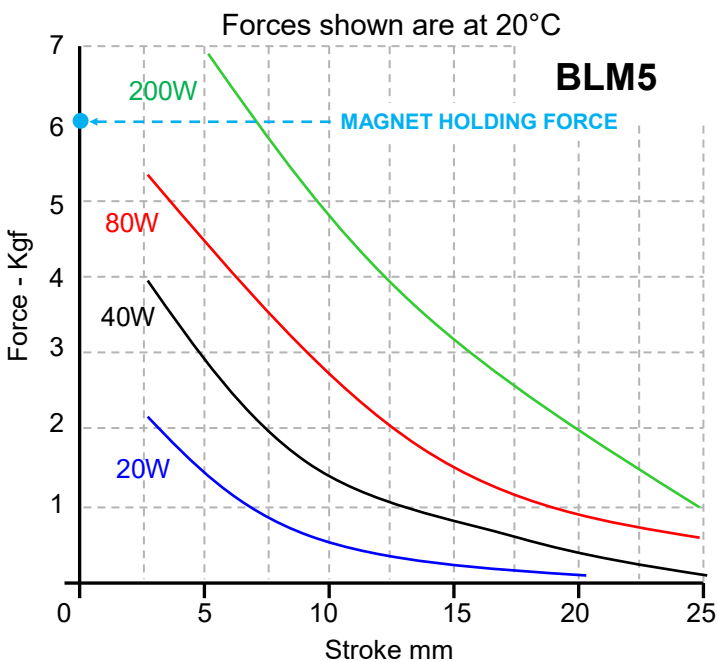
Solenoid shown in energised position

Weight complete 553g
Plunger weight 92g max

Solenoid CLOSSES with
RED Lead + VE
Solenoid OPENS with
BLACK Lead + VE

Minimum Pulse duration - 100ms
De-latch power - 2W

External force is required when de-latching,
i.e. via mechanism or return spring.



Optional

- Return Spring
- Nylon Tip

Example Applications

- Electronic Locks
- Medical Cabinets
- Vending Machines
- Battery Operated Locks

**** Please note: Fixing, plunger coupling, thrust rods and lead length can all be customised ****
We reserve the right to alter or amend designs without prior notice.

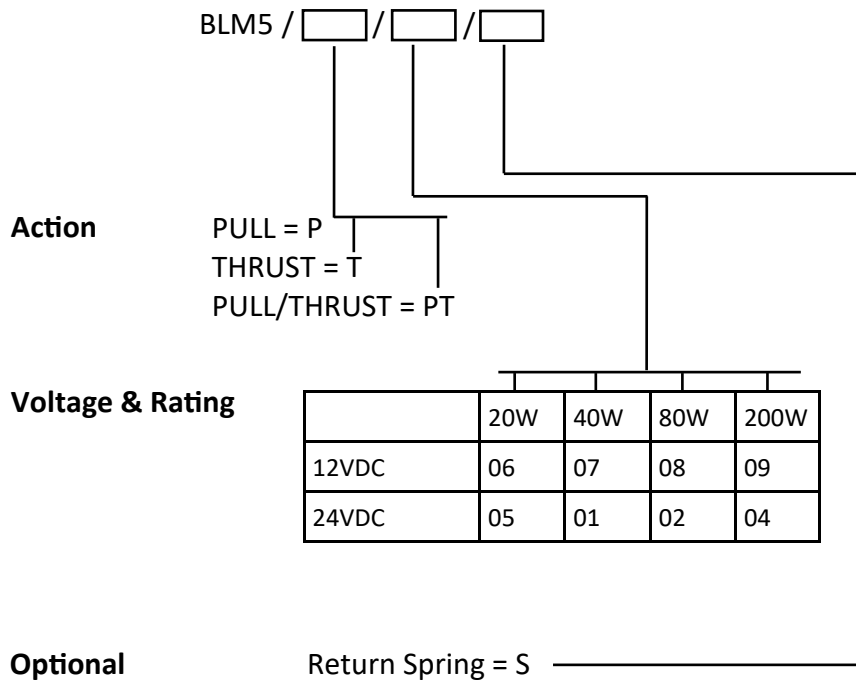
HE & BS Benson Ltd

1 Laureate Industrial Estate, Exning Road, Newmarket, Suffolk UK CB8 0AR

☎ +44(0)1638 663535 — 663130 ✉ sales@bensonsolenoids.co.uk 🌐 www.bensonsolenoids.co.uk

CODING

Please use the standard coding below when advising your design requirement.



Example - BLM5 / P / 01 / S

Other voltages are available on request.

Fixing, plunger coupling, thrust rods and lead length can all be customised.

All solenoids come with flying leads as standard, should you require spade connectors please contact our sales team.

We reserve the right to alter or amend designs without prior notice.

HE & BS Benson Ltd

1 Laureate Industrial Estate, Exning Road, Newmarket, Suffolk UK CB8 0AR

+44(0)1638 663535 — 663130 ✉ sales@bensonsolenoids.co.uk 🌐 www.bensonsolenoids.co.uk